



Driver: \_\_\_\_\_

Track / City: \_\_\_\_\_

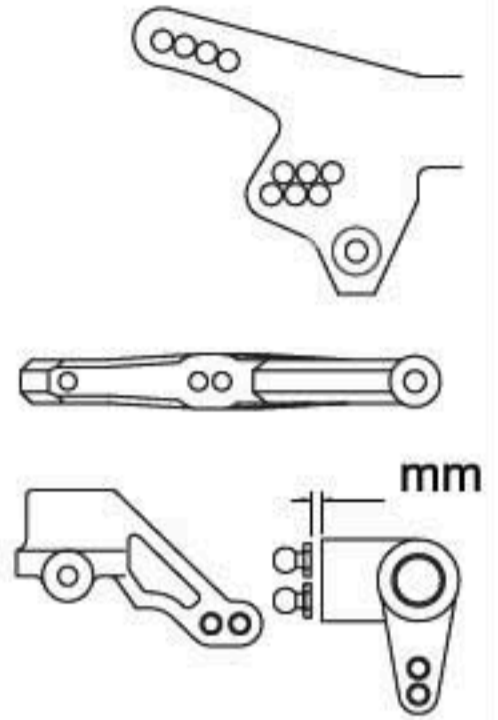
HIGH PERFORMANCE 1:10 ELECTRIC TOURING CAR

# SETUP SHEET

Event: \_\_\_\_\_ Date: \_\_\_\_\_

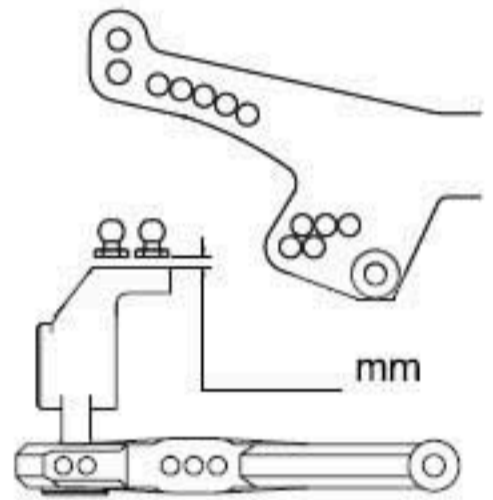
## Front

Caster \_\_\_\_\_ Downstops \_\_\_\_\_ mm Oil \_\_\_\_\_ WT  
 Toe-out \_\_\_\_\_ Anti-roll bar \_\_\_\_\_ Piston \_\_\_\_\_  
 Camber \_\_\_\_\_ Front width \_\_\_\_\_ mm Rebound \_\_\_\_\_  
 Ride Height \_\_\_\_\_ Front drive \_\_\_\_\_ Spring \_\_\_\_\_ lbs  
 Wishbone \_\_\_\_\_ Front pulley \_\_\_\_\_ Shock tower \_\_\_\_\_  
 Wheelbase \_\_\_\_\_ Steering \_\_\_\_\_ Steering block \_\_\_\_\_  
 F Mount \_\_\_\_\_ F Height shims \_\_\_\_\_ mm F WB shims \_\_\_\_\_ mm  
 R Mount \_\_\_\_\_ R Height shims \_\_\_\_\_ mm R WB shims \_\_\_\_\_ mm



## Rear

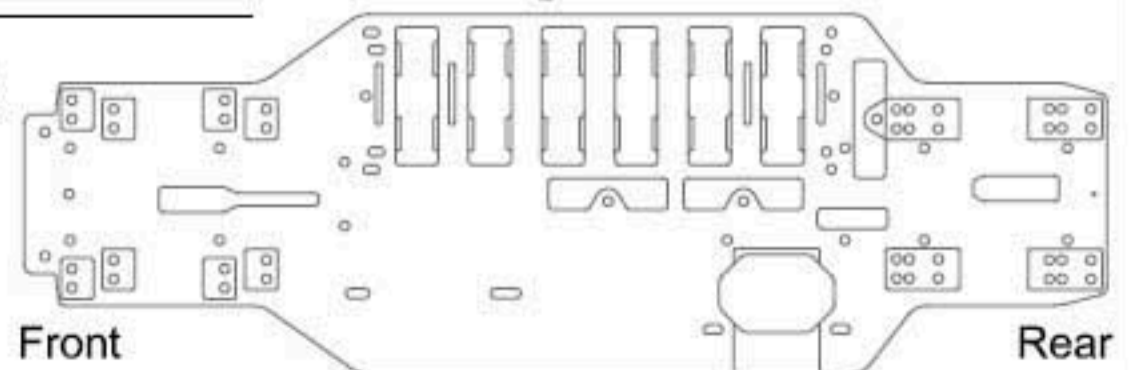
Anti-squat \_\_\_\_\_ Downstops \_\_\_\_\_ mm Oil \_\_\_\_\_ WT  
 Toe-in \_\_\_\_\_ Anti-roll bar \_\_\_\_\_ Piston \_\_\_\_\_  
 Camber \_\_\_\_\_ Rear width \_\_\_\_\_ mm Rebound \_\_\_\_\_  
 Ride Height \_\_\_\_\_ Center pulley \_\_\_\_\_ T Spring \_\_\_\_\_ lbs  
 Wishbone \_\_\_\_\_ Rear pulley \_\_\_\_\_ T Shock tower \_\_\_\_\_  
 Wheelbase \_\_\_\_\_ Upright \_\_\_\_\_ toe-in  
 F Mount \_\_\_\_\_ F Height shims \_\_\_\_\_ mm F WB shims \_\_\_\_\_ mm  
 R Mount \_\_\_\_\_ R Height shims \_\_\_\_\_ mm R WB shims \_\_\_\_\_ mm



## Others

Tires \_\_\_\_\_ Tire additive \_\_\_\_\_  
 Motor \_\_\_\_\_ Motor setup \_\_\_\_\_ Spur / Pinion \_\_\_\_\_ T / \_\_\_\_\_ T  
 Radio \_\_\_\_\_ Servo \_\_\_\_\_ ESC \_\_\_\_\_  
 Body \_\_\_\_\_ Wing \_\_\_\_\_  
 Lead Weights \_\_\_\_\_ g

Weight balance



## Track Conditions

Surface \_\_\_\_\_  
 Traction \_\_\_\_\_  
 Temp. \_\_\_\_\_  
 Notes \_\_\_\_\_  
 \_\_\_\_\_

## Race Comments

Main \_\_\_\_\_ Finish \_\_\_\_\_ Qual. Pos. \_\_\_\_\_ Time \_\_\_\_\_ Laps \_\_\_\_\_